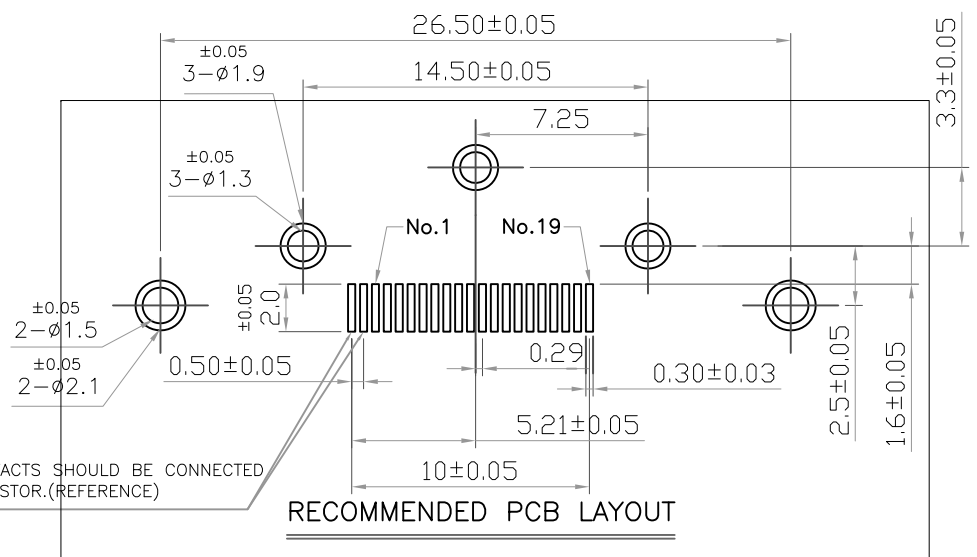
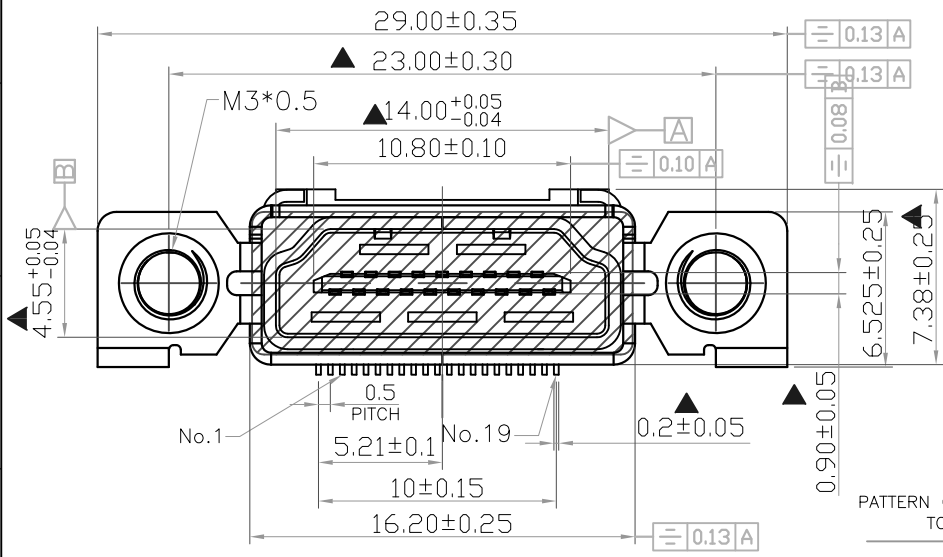
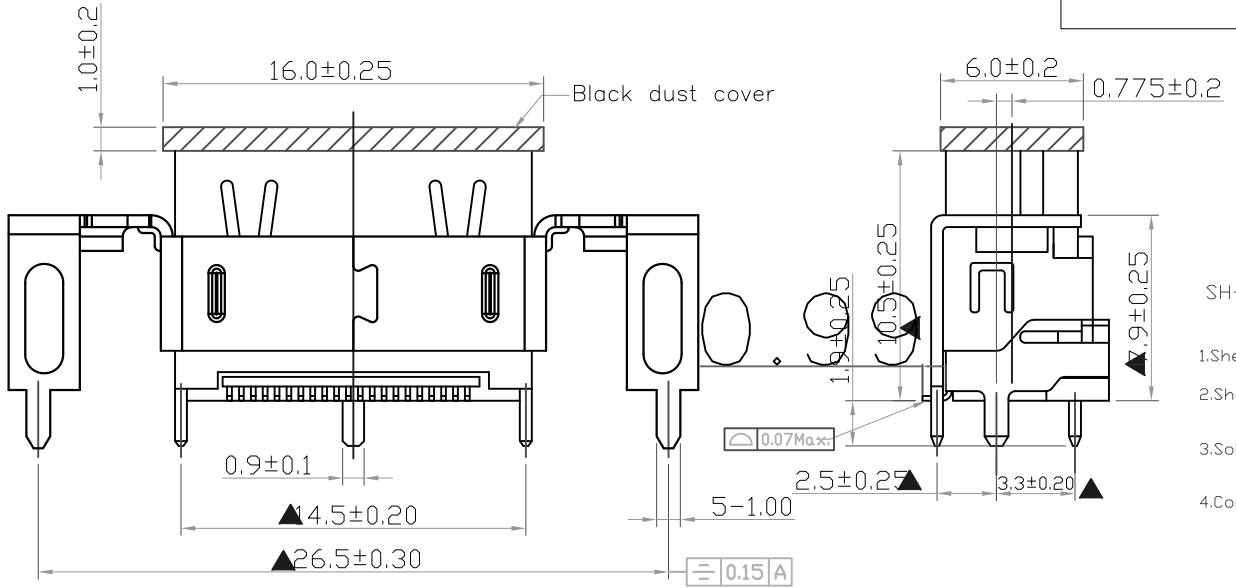


REV	ZONE	REVISION	DATE



PATTERN OF DUMMY CONTACTS SHOULD BE CONNECTED TO 50 OHMS RESISTOR.(REFERENCE)

RECOMMENDED PCB LAYOUT



SH-RS10-A01 X X X X
① ② ③ ④

- 1.Shell Material: S - SPCC Material
B - Brass Material
- 2.Shell Plated: T - Tin Plated
N - Ni Plated
G - Gold Plated
- 3.Solder Area Plated:
T - Tin Plated
G - Gold 1u" Plated
- 4.Contact Area Plated:
1 - Gold 1u" Plated
2 - Gold 15u" Plated
3 - Gold 30u" Plated

Material and Finish:
 1. Insulator Material: L.C.P.+30% Glass Filled,UL94V-0,Color:Black
 2. Cover Material: LCP+GF30% Glass Filled,UL94V-0,Color:Black
 3. Contact Material: Phosphor Bronze T=0.20.
 4. Shell Material: Spcc/Brass T=0.50.
 5. Contact Area Plated: Gold 1~30u" Plated Over Nickel.
 6. Solder Area Plated: Gold Flash Plated Over Nickel.
 7. Shell Plated: Tin 100u" Plated Over Nickel.
 8. Coplanar Of SMT Terminal Is 0.10 Max.
 9. Packing: Tray
 10. Control Dimensions Indicated From" ▲ ".
 11. Ro=RoHS

SPECIFICATION:
 Contact Resistance: 30m Ohm. Max.
 Insulation Resistance: 100M Ohm Min. At 500V DC.
 Contact Current Rating: 0.5A Min;
 Voltage Rating: 40V AC;
 Withstanding Voltage: 500V AC For 1 Minute.
 Durability (Life Test): 10000 cycles at 100±50 cycles per hour;
 Insertion Force: 44.1N Max;
 Withdrawal Force: 9.8N Min;
 Operating Temperature: -20~+85°.

Allconnectors
 www.allconnectors.eu | info@allconnectors.eu
 Tel. +49 (0)711 / 358 110 20 | Fax +49 (0)711 / 358 110 25

PART NO.			UNIT	SCALE	PART NAME	
W02-HDRS10-A01			mm	1:1	HDMI RECEPTACLE	
APPD.	CKD.	DWG.	DATE	TOLERANCE	A TYPE	
			2007/09/01	x. ±0.38 .x ±0.25 .xx ±0.13		REV A1

DRAWING No. W02-HDSR10-A01-1